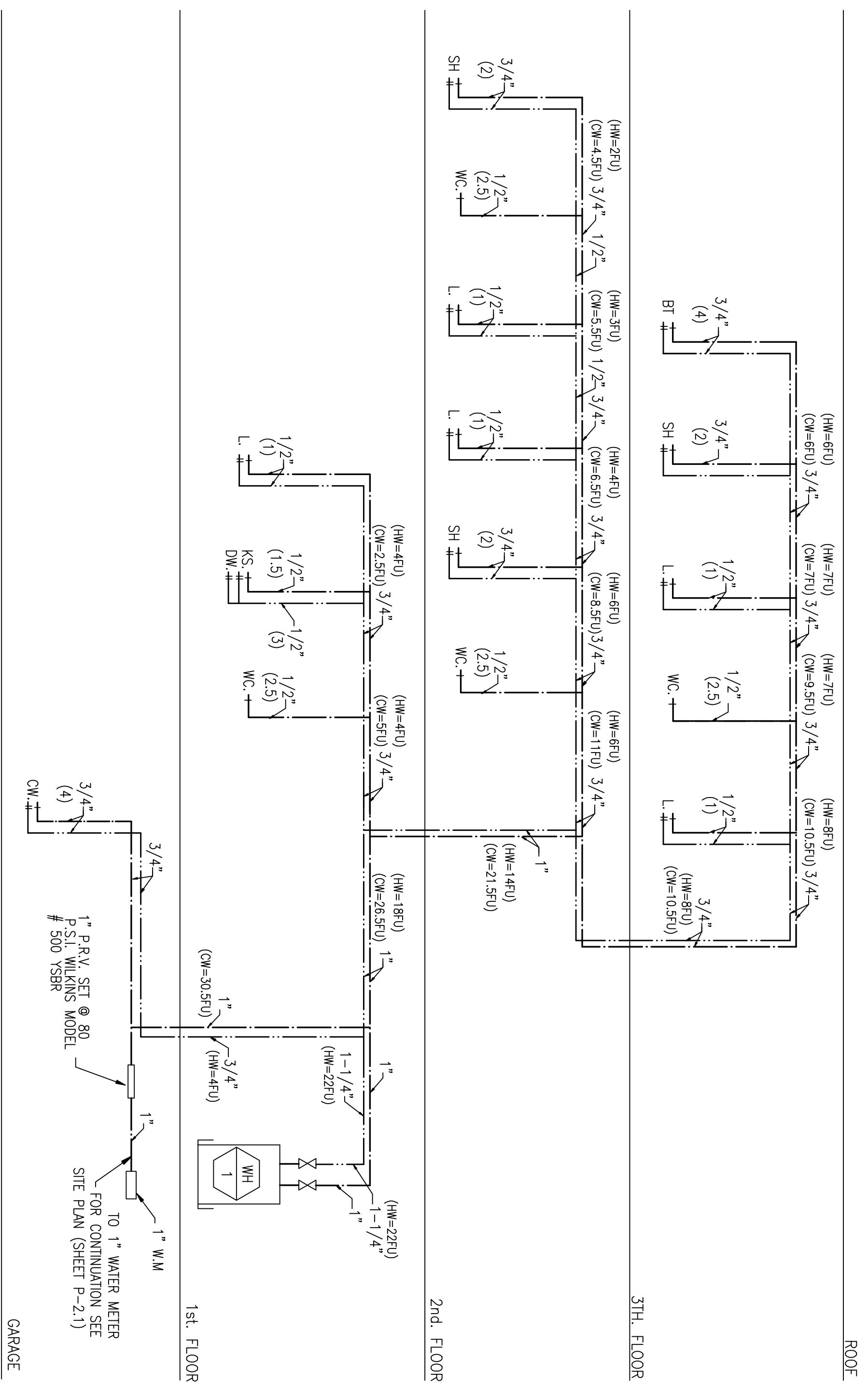
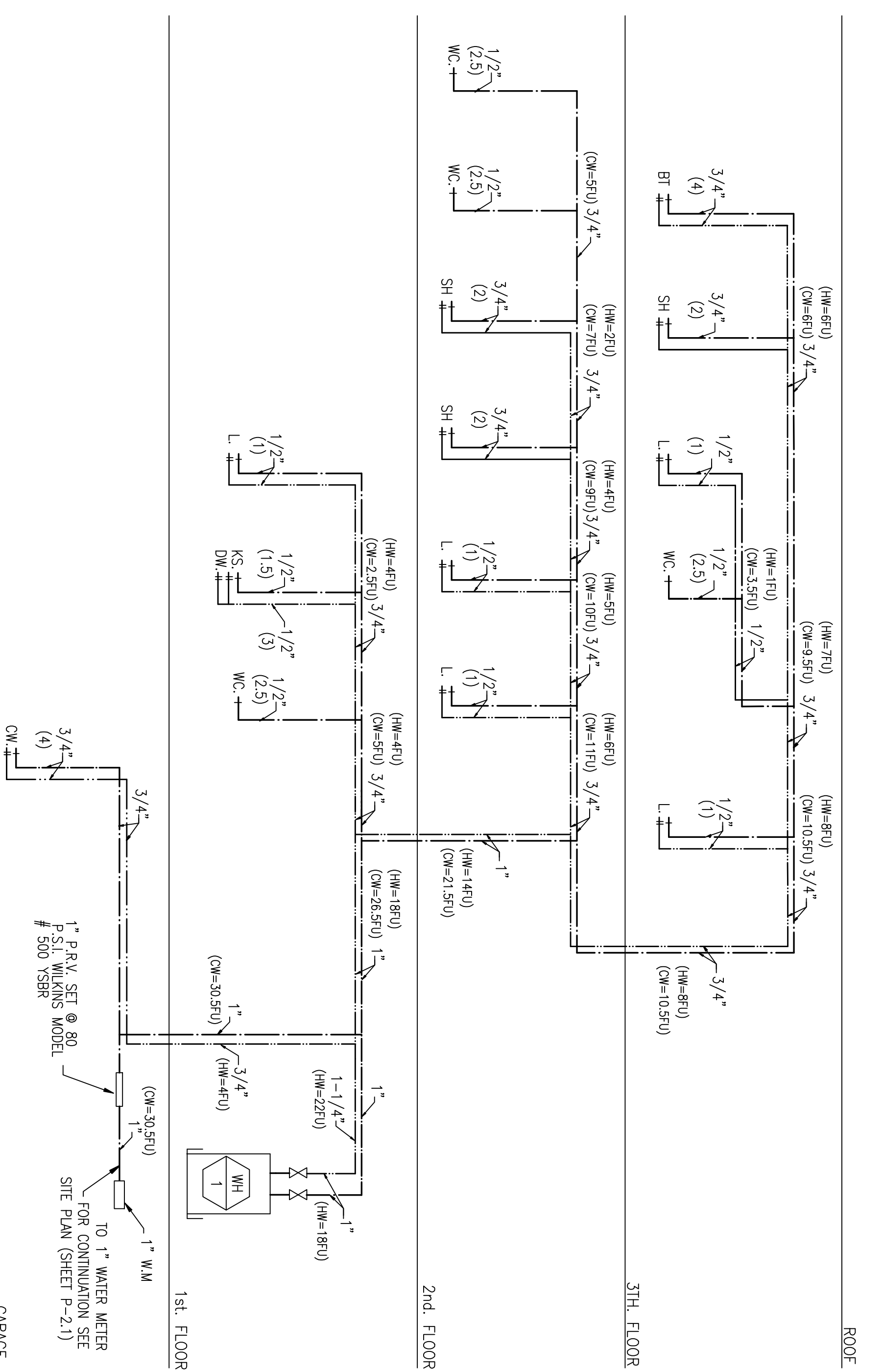


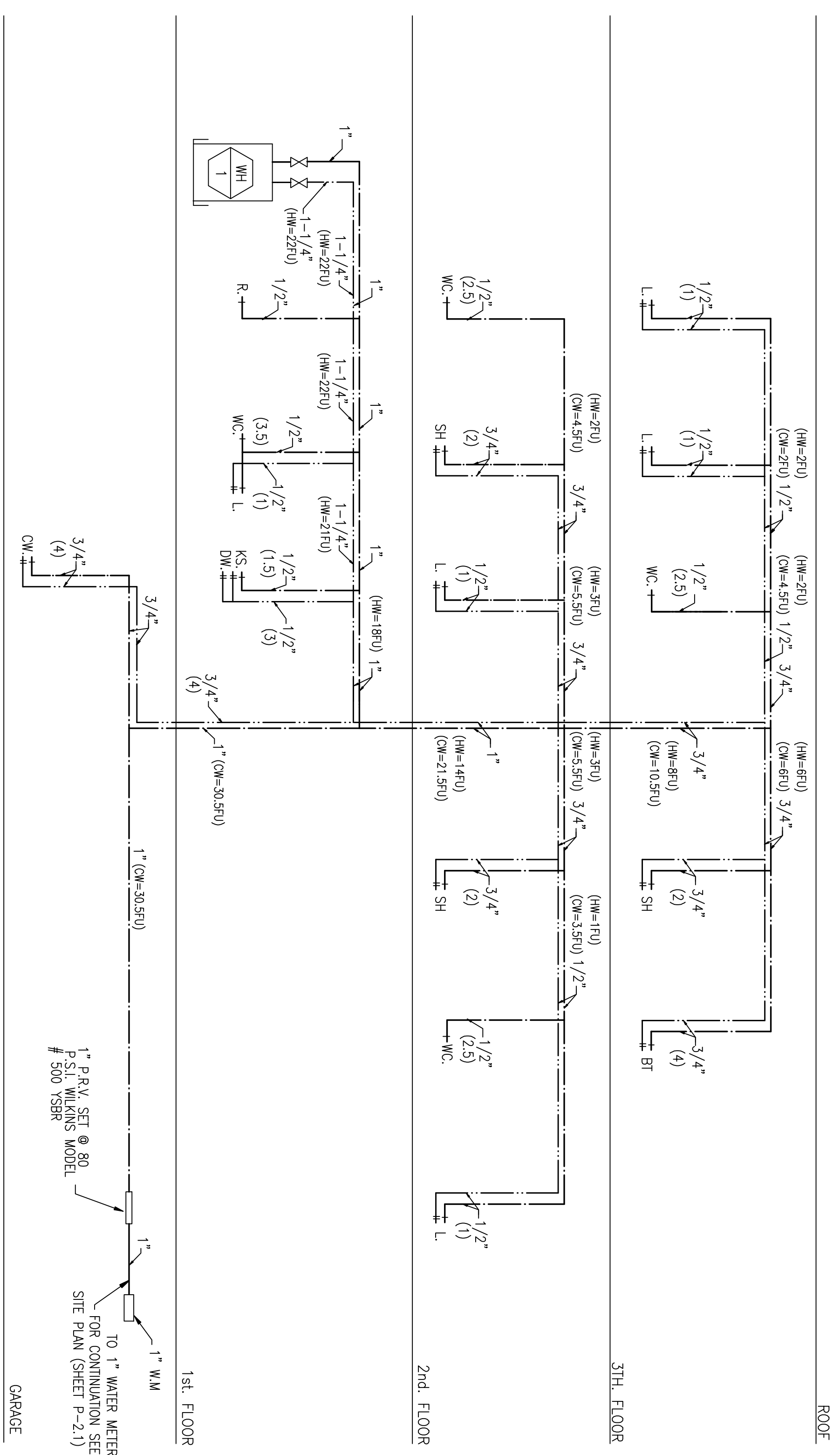
TYPICAL CW& HW PIPING DIAGRAM UNITS # 1



TYPICAL CW& HW PIPING DIAGRAM UNITS # 2-4



TYPICAL CW& HW PIPING DIAGRAM UNITS # 3



TYPICAL CW& HW PIPING DIAGRAM UNITS # 5

No.	REVISION	DATE

MR. ALI MADANI & MR.HOSSEIN ASHTIANI  
5 UNIT CONDOMINIUMS at  
1327 EUCLID STR., SANTA MONICA, CA-90404



**FARZAN ENGINEERING**  
1800 BUTLER AVE #305  
W. LOS ANGELES, CA 90025  
Tel. (310) 386 2400; Fax. (310) 479 1565

TITLE  
**CW & HW RISER DIAGRAM**  
SCALE  
DATE  
2-19-07  
SHEET NUMBER  
**P-10**